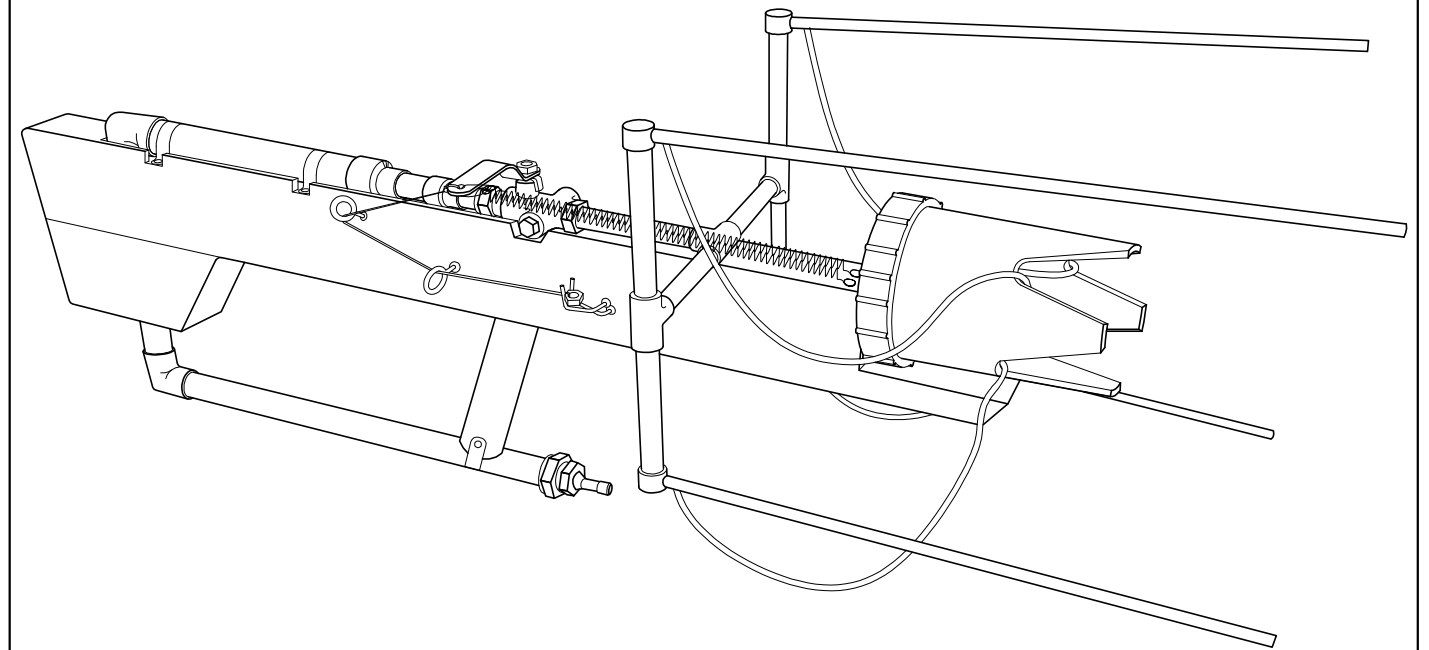


Marcel Coufreur will not be held accountable for any actions taken by the person who made this. These instructions are meant to be hypothetical not to actually be used (for building an anti-drone net launcher) and fired at drones(UAV) or other devices and especially not other humans or animals. Please be responsible and safe. If someone does feel the need to build this and use it, it's that individual's choice and he or she will be held accountable for his/hers actions.

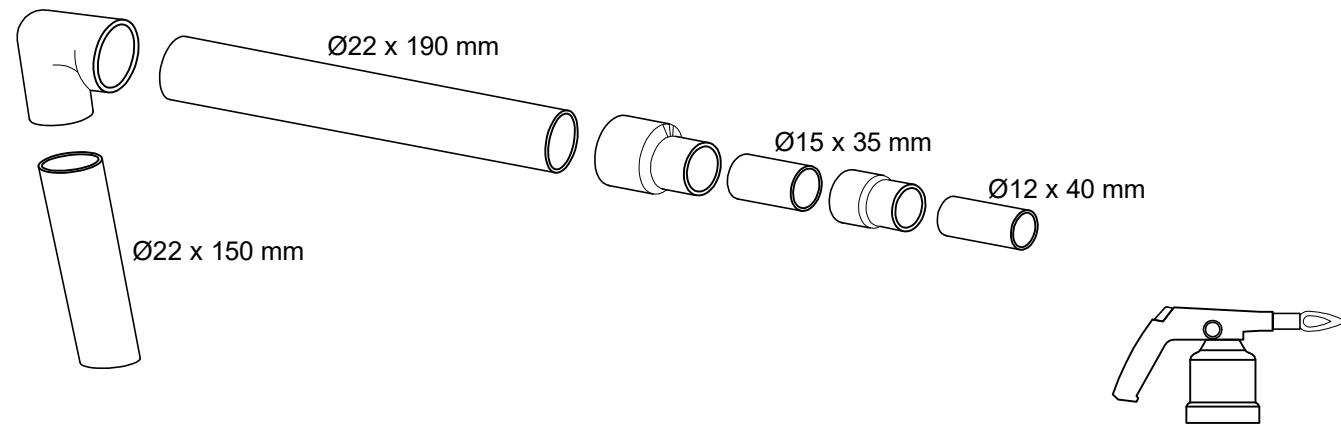
Anti-drone Canon



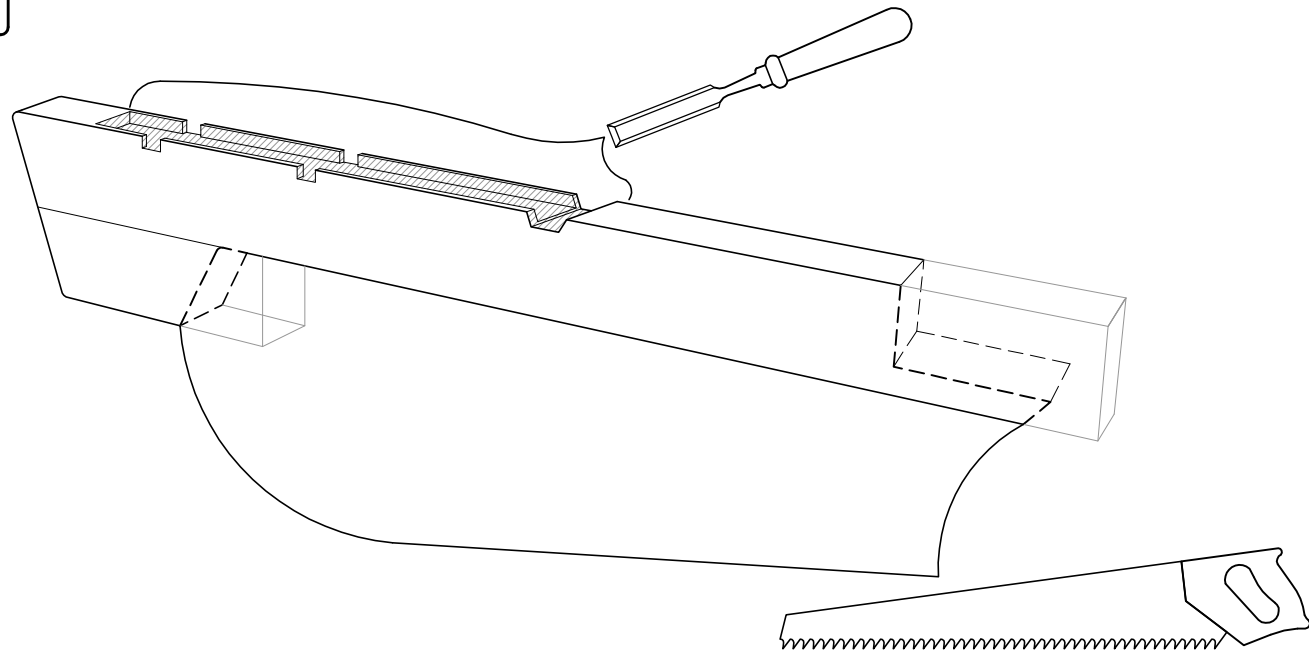
'Anti-drone canon' by Marcel Coufreur available at marcelcoufreur.nl/downloads is under a Creative Commons Attribution 2.0. Full terms at <https://creativecommons.org/licenses/by/2.0/>

<p>+ S-39 + Tin solder</p>		<p>Ø 25 mm Ø 14 mm Ø 4 mm Ø 3.5 mm Ø 3 mm</p>		<p>L</p>		<p>M</p>									
		<p>1x</p>		<p>1x</p>		<p>1x</p>		<p>1x</p>		<p>2x</p>		<p>1x</p>		<p>1x</p>	
<p>1x</p>		<p>1x</p>		<p>1x</p>		<p>3x</p>		<p>4x</p>		<p>1x</p>		<p>2x</p>		<p>1x</p>	
		<p>2x</p>		<p>1x</p>		<p>4x</p>				<p>1x</p>		<p>8x</p>			

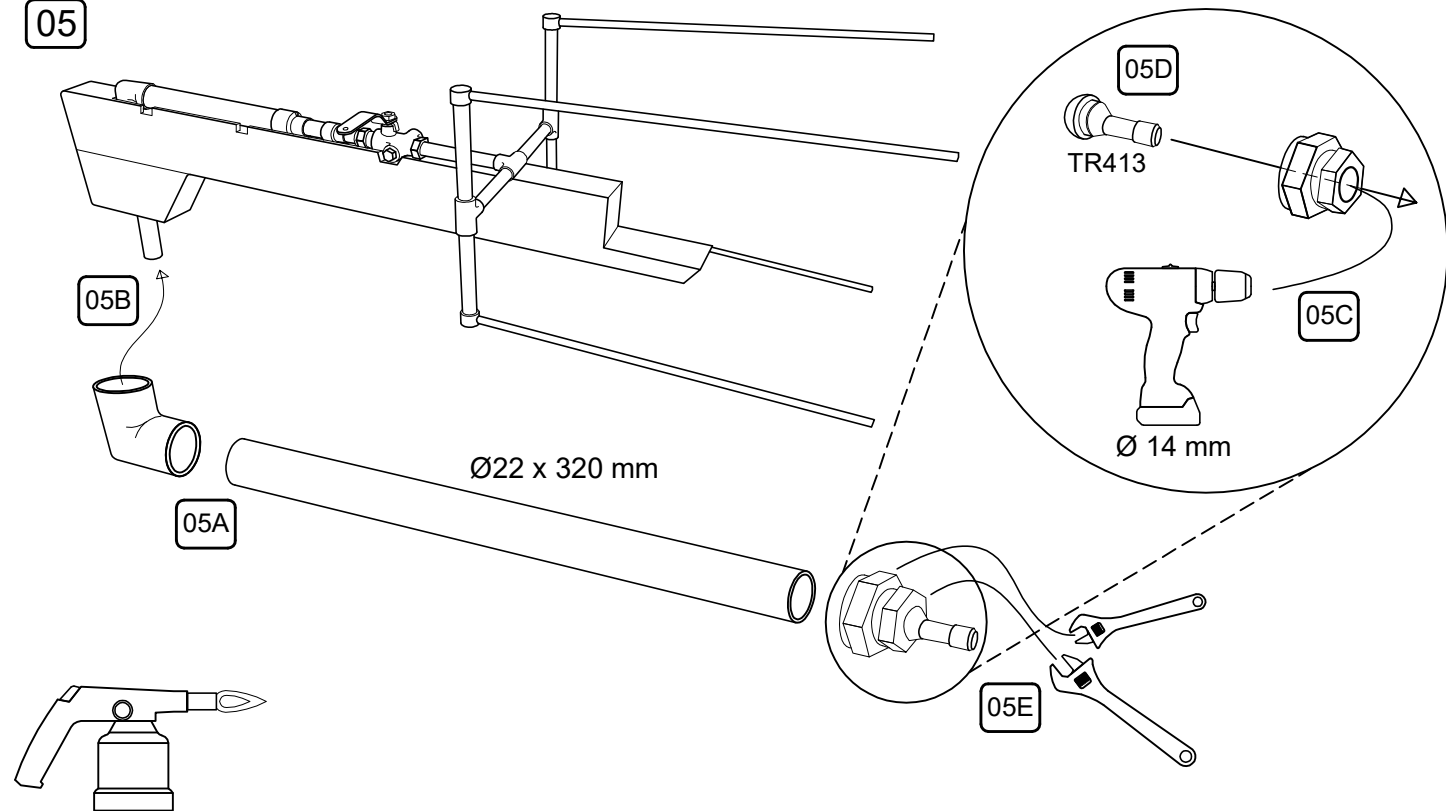
01



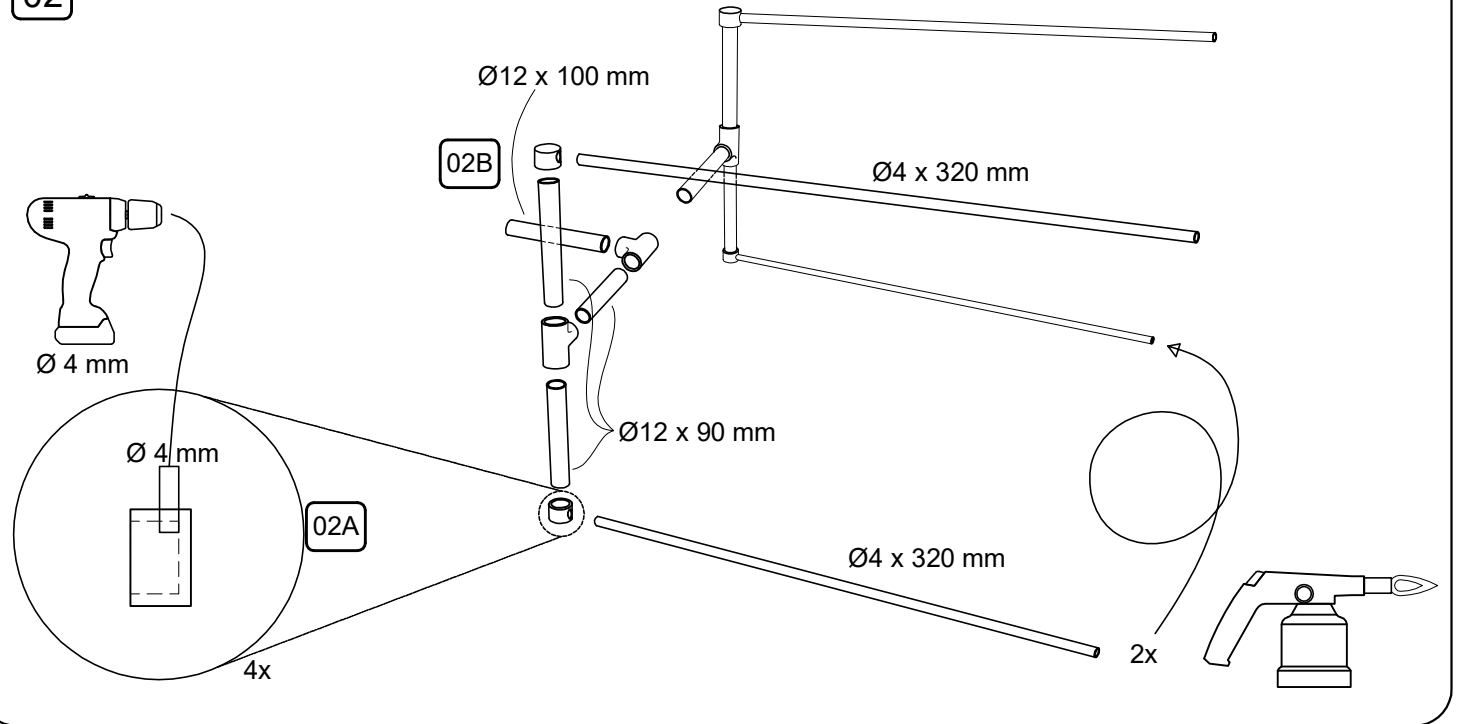
03



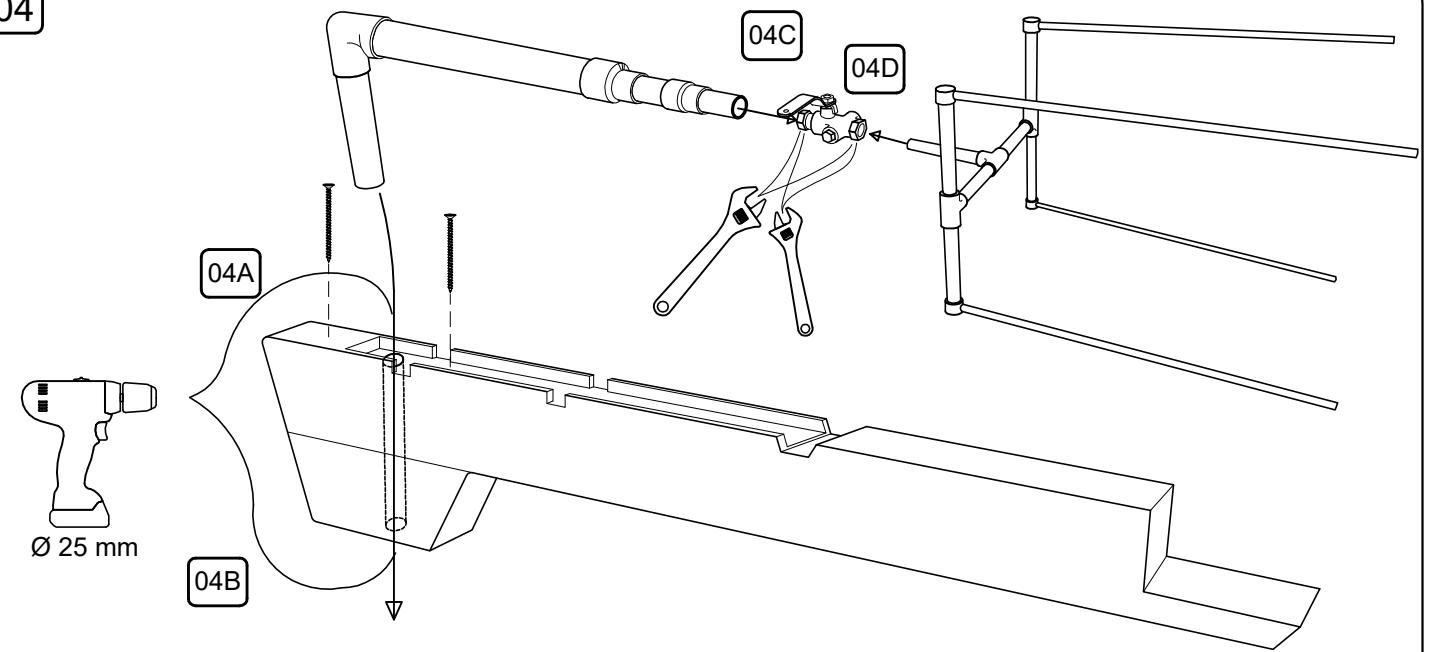
05



02



04



06

